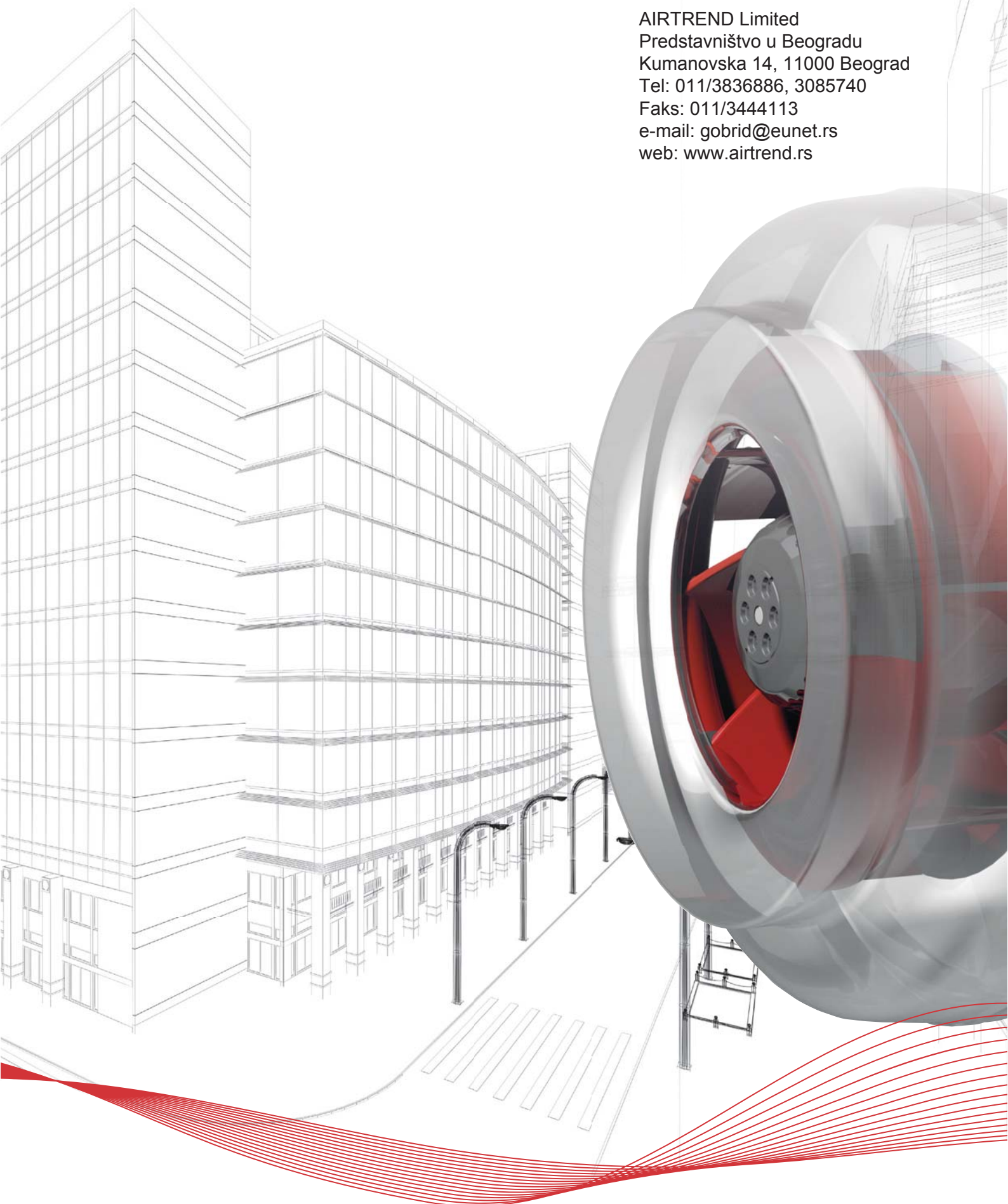


AIRTREND Limited
Predstavništvo u Beogradu
Kumanovska 14, 11000 Beograd
Tel: 011/3836886, 3085740
Faks: 011/3444113
e-mail: gobrid@eunet.rs
web: www.airtrend.rs



Östberg supplies energy efficient and high performance ventilation products for a fresh and healthy indoor climate, wherever people live, work or play. Founded in Sweden in the early 1980s, Östberg has grown into a leading global supplier of duct fans and energy efficient air treatment units – with product sales in over 75 countries.

healthy indoor climate

FLEXIBLE AND CUSTOMISED

Consistent customer focus and great flexibility play key roles in Östberg's business concept. We consider it of particular importance to create a truly world-class indoor environment with the lowest possible energy consumption and sound levels. Our comprehensive product range features units that can handle airflows up to 50 litres to 30 cubic metres per second. All our products are CE-labelled for EU, EFTA and EEA markets, and we place great emphasis on making them simple to install and to use.

RESEARCH AND PRODUCT DEVELOPMENT

To maintain and grow the position as a leading technical supplier of high end quality products, Östberg continuously invests heavily in innovation and product development. Our ideas for product development arise from collaborations with our customers, innovations by our technical experts, and from our desire to create even better indoor climates. In our efforts to continuously develop our products, we perform numerous tests and measurements – all in order to meet our customers needs and provide healthier air using energy efficient fan and ventilation products at competitive prices.

QUALITY ASSURED PRODUCTS

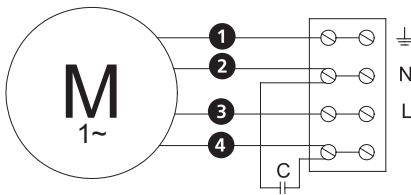
Östberg upholds the highest standards for production, with secure quality controls monitoring each product throughout the entire manufacturing process. The company is certified according to the quality and environment standards ISO 9001 and ISO 14001. Östberg is headquartered in Sweden with branches in many countries all over the world.

By choosing an Östberg product you invest in long-lasting quality products *powered by innovation.*

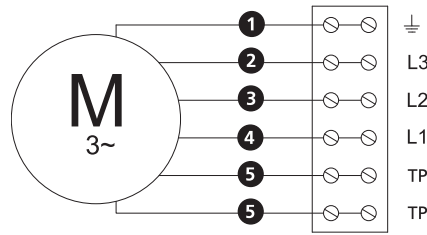
Following chapter contains all wiring diagrams we use in our products. Each wiring diagram is also printed on the product label.

WIRING DIAGRAMS

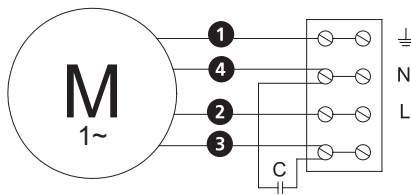
4040001
Single phase 230 V.



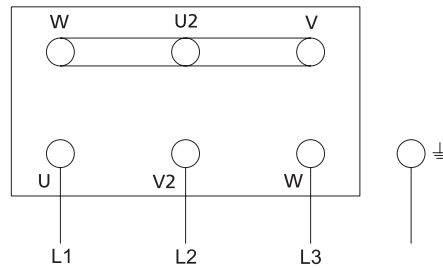
4040115
3-phase 400 V.



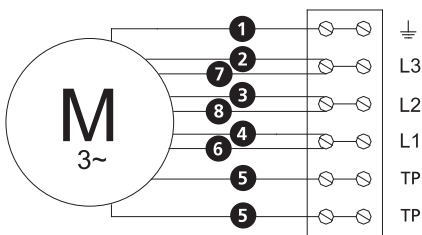
4040002
Single phase 230 V.



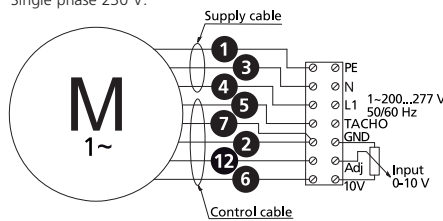
4040116
Single phase 230 V.



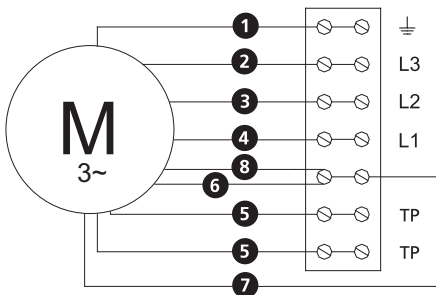
4040003
3-phase Δ230 V.



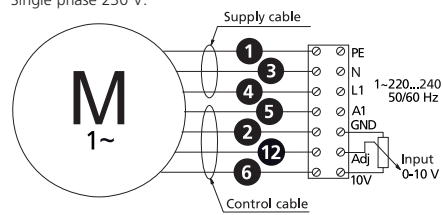
4040143
Single phase 230 V.



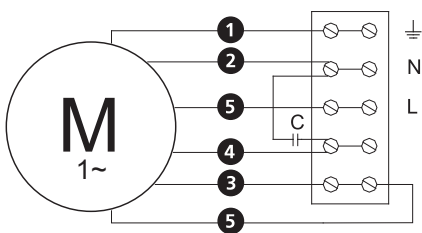
4040004
3-phase Y400 V.



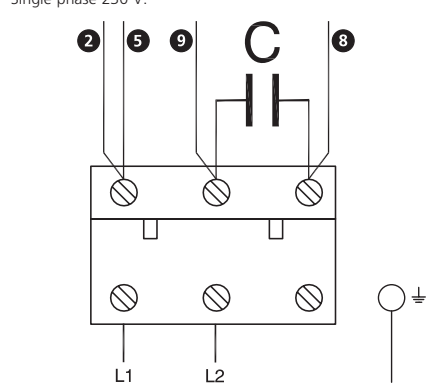
4040180
Single phase 230 V.



4040005
Single phase 230 V.



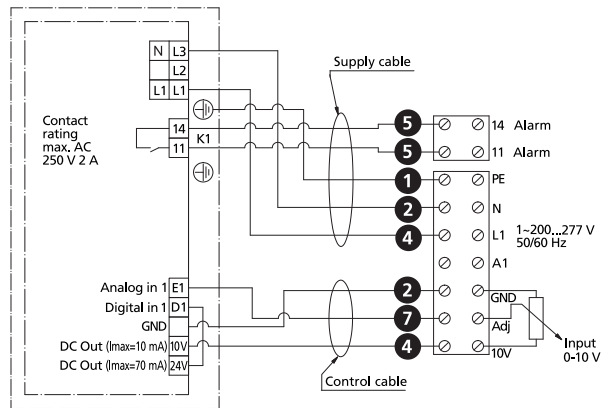
4040191
Single phase 230 V.



- (M) = Fan Motor
- (M1) = Fan Motor
- (M2) = Fan Motor
- 1 = Yellow/Green
- 2 = Black
- 3 = Blue
- 4 = Brown
- 5 = White
- 6 = Orange
- 7 = Grey
- 8 = Red
- 9 = Green
- 10 = Violet
- 11 = Quick switch
- 12 = Yellow

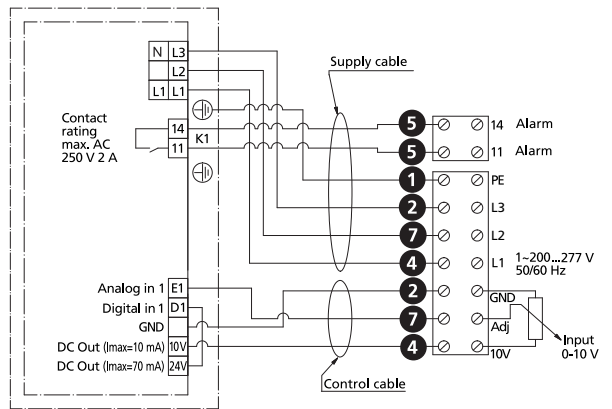
4040145

Single phase 230 V.



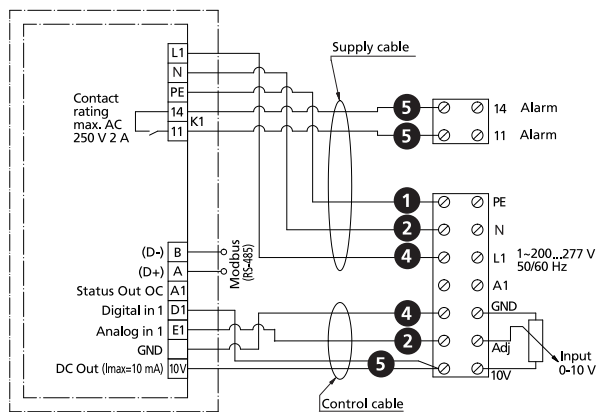
4040147

3-phase 400 V.



4040175

3-phase 400 V.



- (M) = Fan Motor
- (M1) = Fan Motor
- (M2) = Fan Motor
- 1 = Yellow/Green
- 2 = Black
- 3 = Blue
- 4 = Brown
- 5 = White
- 6 = Orange
- 7 = Grey
- 8 = Red
- 9 = Green
- 10 = Violet
- 11 = Quick switch
- 12 = Yellow